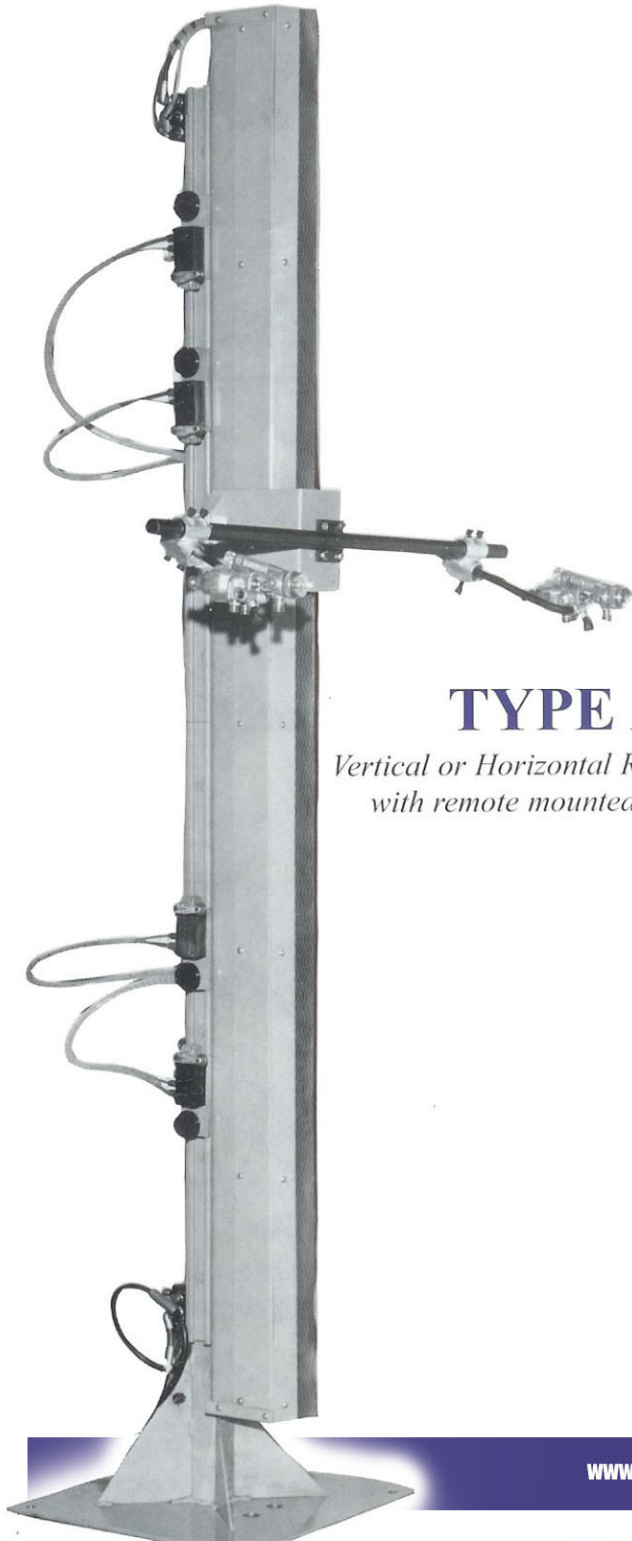
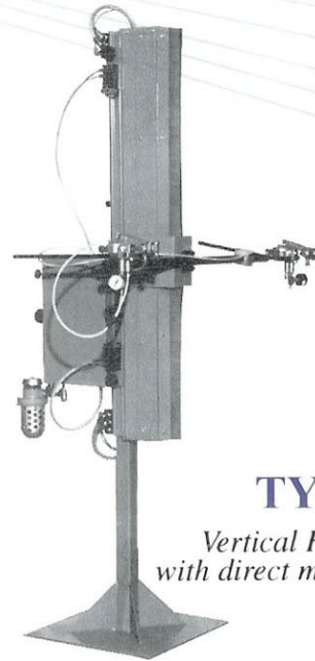


# PNEUMATIC RECIPROCATORS



## TYPE A

*Vertical or Horizontal Reciprocator  
with remote mounted controls*



## TYPE B

*Vertical Reciprocator  
with direct mounted controls*

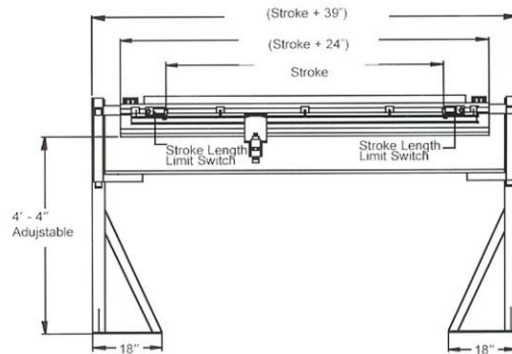
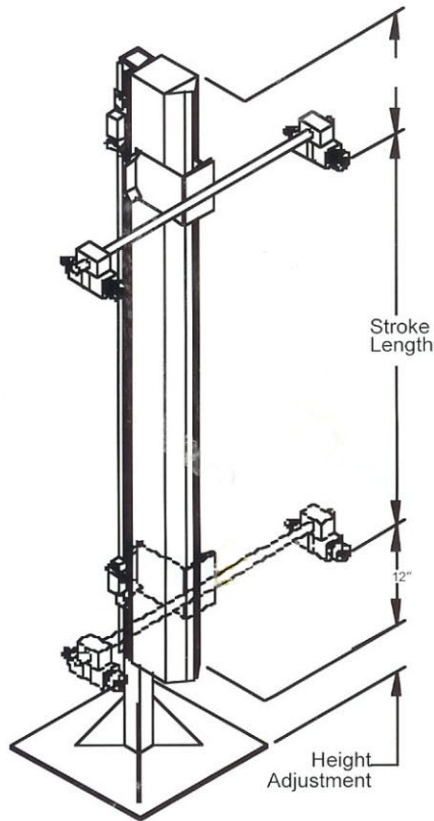
### STANDARD FEATURES

- Totally explosion proof - shop air is the only power required
- Self-contained air lubrication and filtration systems
- Maximum portability - basic piece weighs 150 pounds (DVLP - 24) versus competitive mechanical units in the 2000 pound range
- Vertical or horizontal mounting alternatives available
- Innovative air logic - maximum reduction of reverse lag time at end-of-stroke return (patented)
- Maximum reliability
- Minimal upkeep and maintenance
- Easily changed speed and stroke length using finger tip controls while unit is operating
- Speed from 40 to 160 feet per minute
- Stroke length adjustable from 4" to stroke specified at order
- Stroke length 12" minimum

# PNEUMATIC RECIPROCATORS

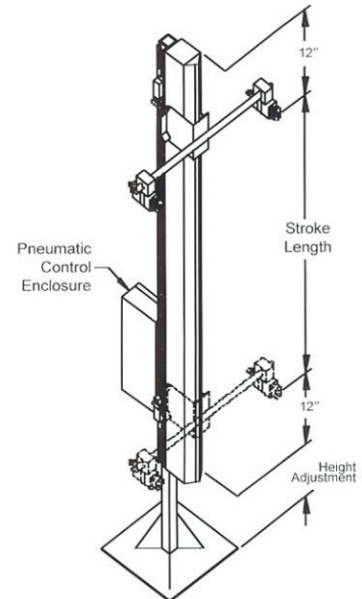
## TYPE A

*Vertical or Horizontal Reciprocator  
with remote mounted controls*



### OPTIONS

- Air or electric remote control valves for starting and stopping reciprocator remotely
- Swivel casters and stabilizers provide portability
- Add-on universal mount arms for additional guns (2 arms standard with unit)
- Mounting bases for sidewall, overhead, cantilever, or horizontal machine installation
- Multiple start/stop gun control features available as factory options



## TYPE B

*Vertical Reciprocator  
with direct mounted controls*